

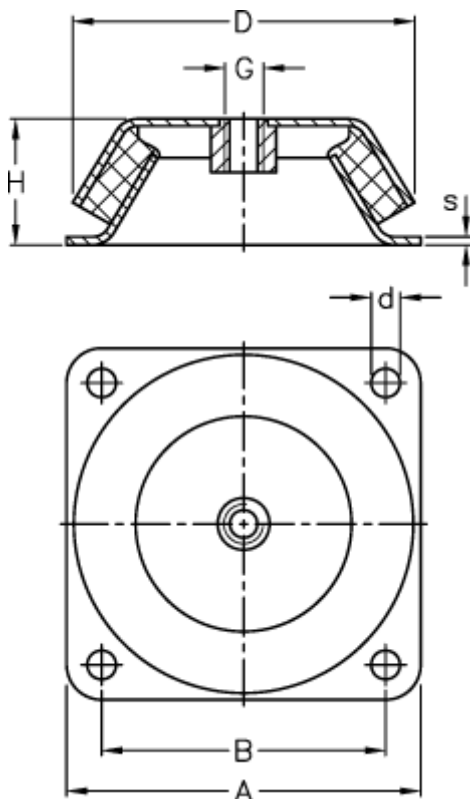
Data Sheet



Article number: 51856546160010

Description: Vibration damper QMF 160/60

Measures



A	= 175
B	= 145
D	= 160
d	= 12.5
G	= M16
H	= 60
Load (daN)	= 800
S	= 3